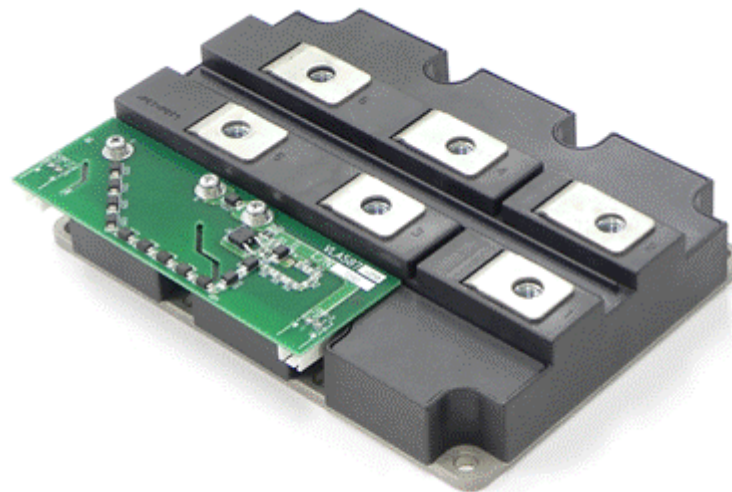


Adapter Unit VLA587-01R
for 3.3kV class HVIGBT

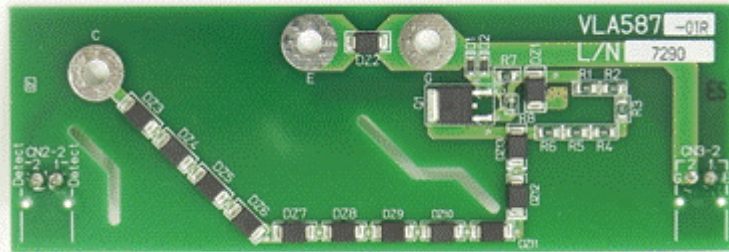


Jul.2017

HVIGBT Adapter Unit VLA587-01R

Preliminary

Outline (Image photo)

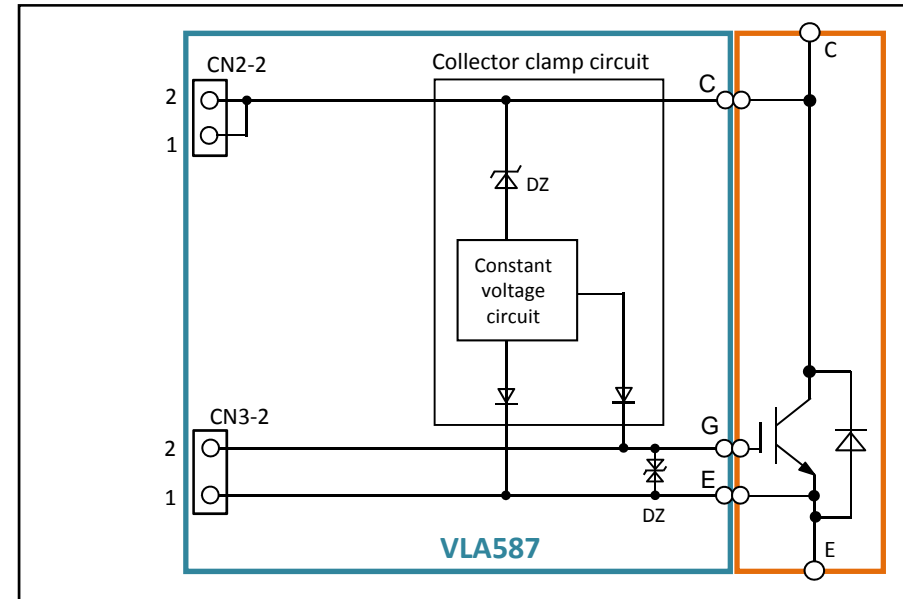


Size : 44 x 130 mm

Features

- >Directly mountable on the HVIGBT module
- >Built in collector clamp circuit
- >Built in the constant voltage circuit for gate protection
- >Wire connection to gate driver unit
- >Mounted connector on back substrate
- >Exclusive to combination use with Isahaya gate driver

Block Diagram



Targeted IGBT Modules

VCES : 3300V,1000A~ 1500A class IGBT module

Applications

- HVDC infrastructure
- Medium voltage inverter
- Wind turbine inverter etc..

Maximum ratings (unless otherwise noted, Ta=25 degC)

Symbol	Parameter	Conditions	Ratings	Unit
Topr	Operating temperature	No condensation allowable	-40 ~ 85	deg C
Tstg	Storage temperature	No condensation allowable	-40 ~ 85	deg C
VDC_Link	Main circuit voltage	The voltage between P and N of main circuit	2200	V
VCp	Collector peak voltage	Off surge voltage on C terminal	3300	V

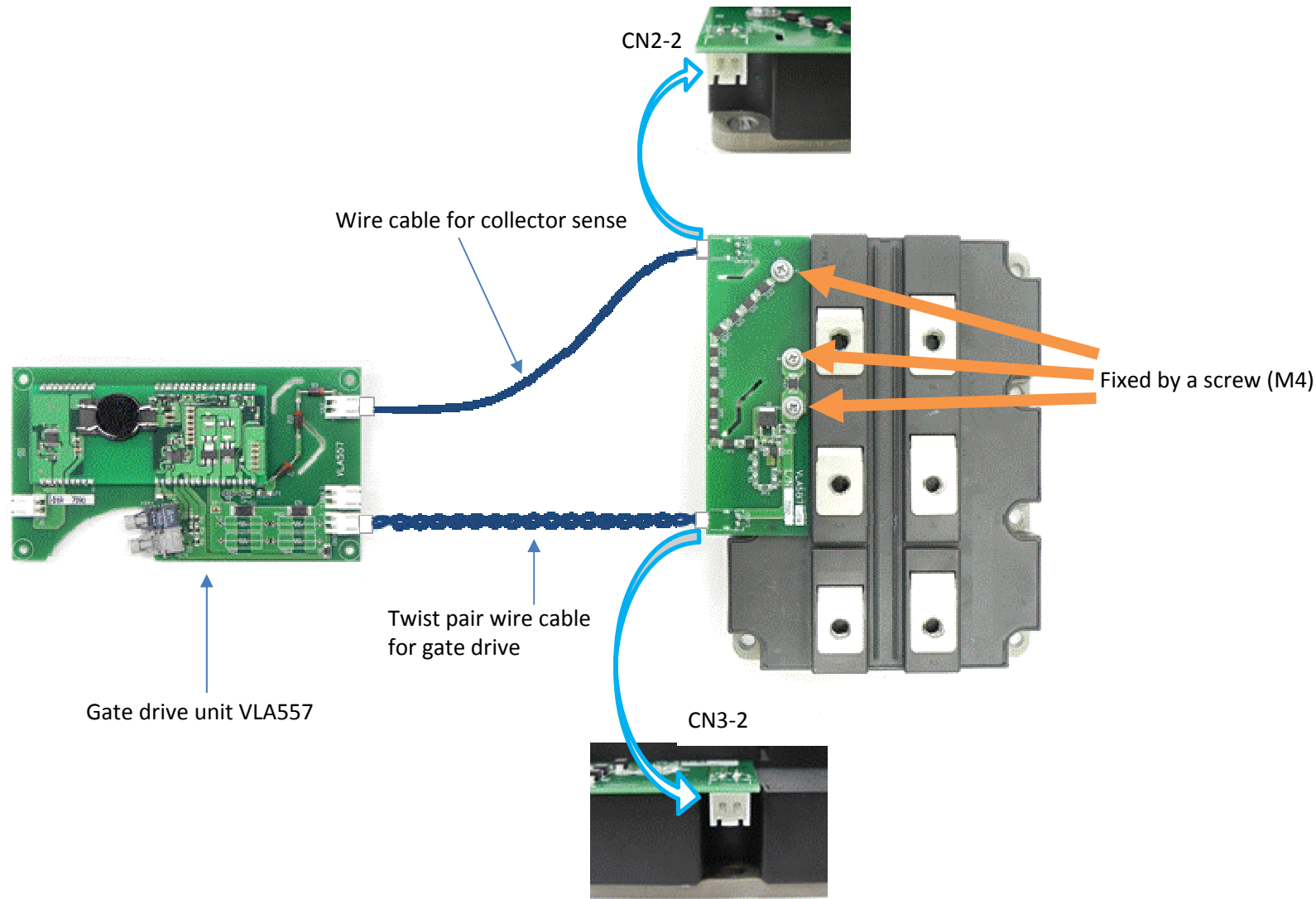
Electrical characteristics (unless otherwise noted, Ta=25 degC)

Symbol	Item	Conditions	Limits			Unit
			Min	Typ	Max	
Vz (*1)	Clamp zener voltage	Total zener voltage in collector clamp circuit at Iz = 1mA , Tj=25 deg C	2510	2650	2790	V

*1 : It depends on the condition of use, but actual clamp voltage of collector approximately rises by 550V from 250V to Vz.

Preliminary

Connection example



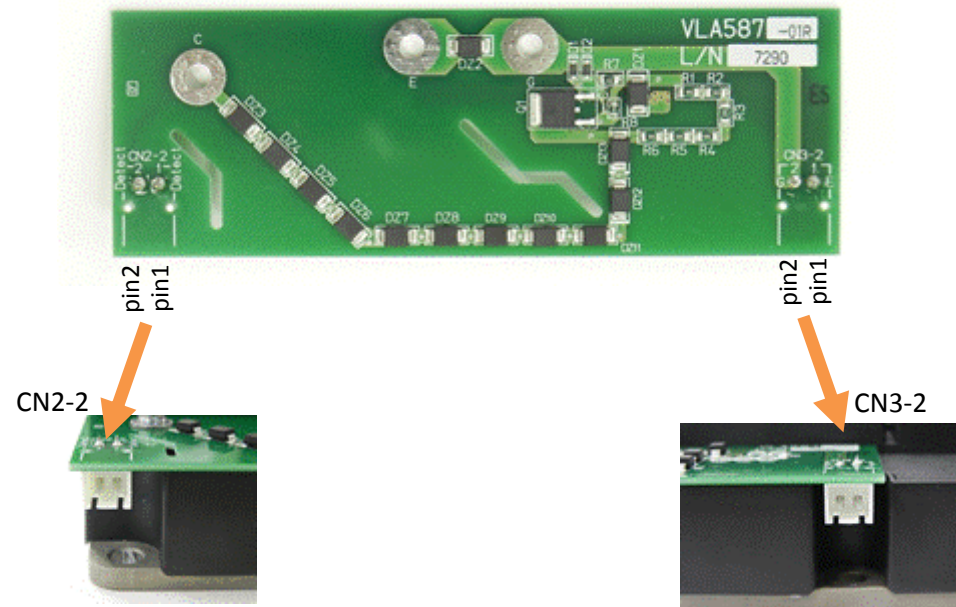
Details of connector

CN2-2: 53259-0229 (Molex)	
Pin N.o.	Signal
1	Collector
2	Collector

CN3-2: 53259-0229 (Molex)	
Pin N.o.	Signal
1	Emitter
2	Gate

We recommend following parts or equivalent product for wire cable

HOUSING	TERMINAL	Maker
51067-0200	50217-8100	Molex



Note about collector clamp circuit (1)

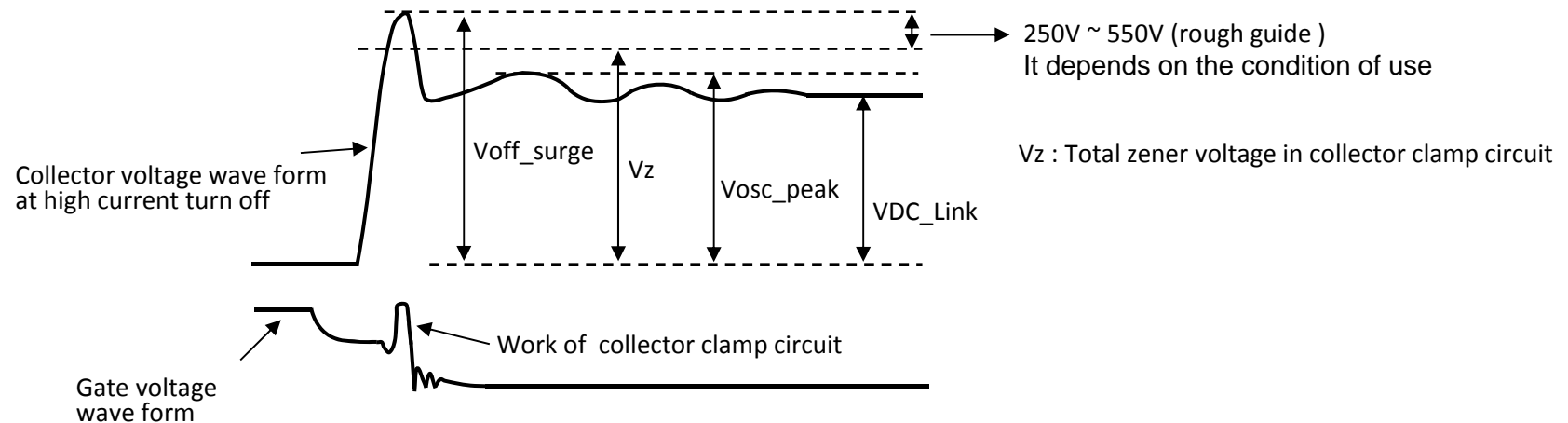
Preliminary

The following chart is the collector voltage wave form of IGBT at high current turn off.
This drive unit has collector clamp circuit built in.

As for this clamp circuit, there is effectiveness to control the surge voltage on collector at high current turn off, but the surge voltage may go over the maximum rating of collector voltage depending on the condition of use. Therefore please confirm it in the actual machine evaluation.

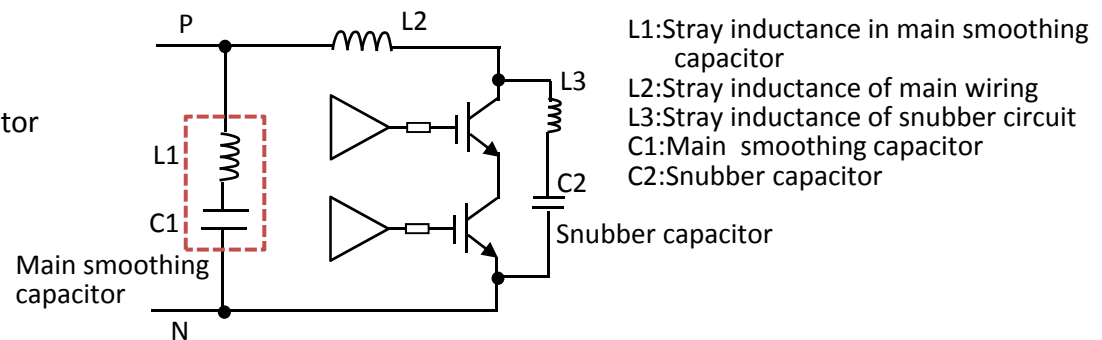
Finally each parameter must be the following relation. Please keep this condition.

$$VDC_Link < Vosc_peak < Vz < Voff_surge$$



The next countermeasures are effective to suppress the rise and oscillation of the collector voltage.

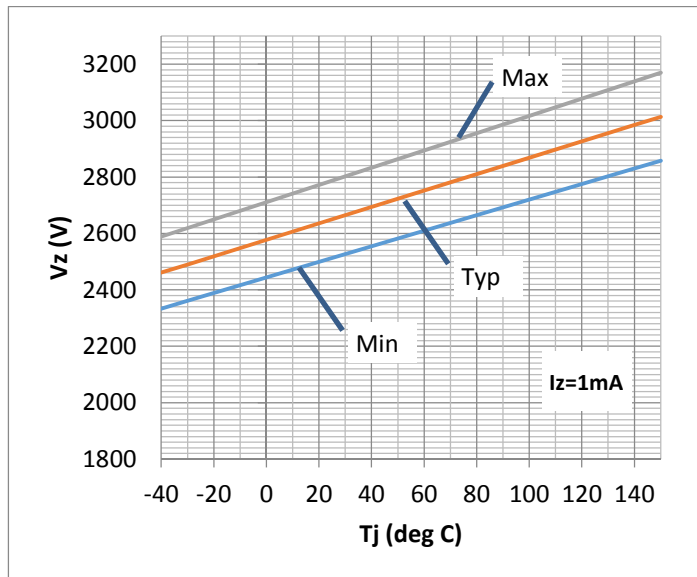
- (1) Reducing the value of L1,L2 and L3
- (2) Increasing the value of C2
- (3) Increasing the resistance of off gate resistor
- (4) Limiting maximum collector current
- (5) Reducing the VDC_Link



Note about collector clamp circuit (2)

The total zener voltage in the collector clamp circuit has the tolerance and fluctuation by temperature such as the following chart.
Please keep the main circuit so that the DC_Link voltage does not exceed this zener voltage.

Total zener voltage characteristic

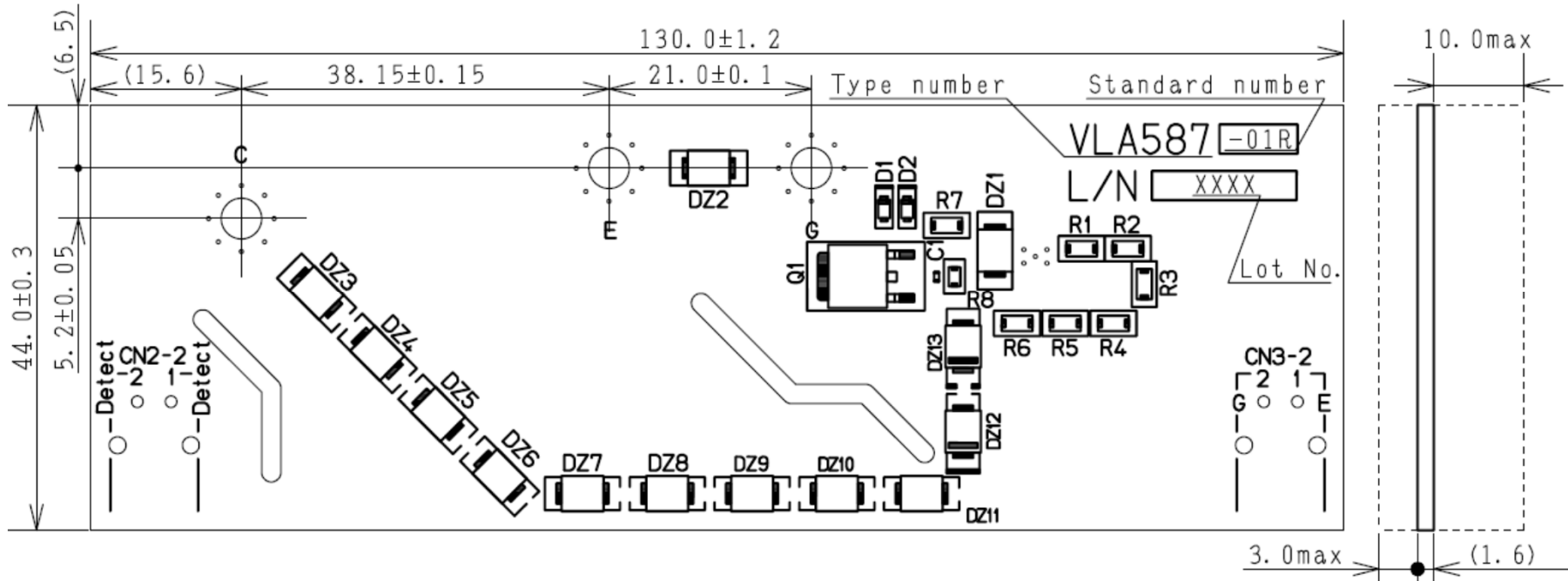


Note about collector clamp circuit (3)

When the collector clamp circuit operates repeatedly, it may be destroyed for heat.
Therefore please keep it to work non-consecutively.

Outline & Size

Preliminary



Keep safety first in your circuit designs!

·ISAHAYA Electronics Corporation puts the maximum effort into making semiconductor products better and more reliable, but there is always the possibility that trouble may occur with them. Trouble with semiconductors may lead to personal injury, fire or property damage. Remember to give due consideration to safety when making your circuit designs, with appropriate measures such as (1) placement of substitutive, auxiliary circuits, (2) use of non-flammable material or (3) prevention against any malfunction or mishap.

Notes regarding these materials

- These materials are intended as a reference to our customers in the selection of the ISAHAYA products best suited to the customer's application; they don't convey any license under any intellectual property rights, or any other rights, belonging to ISAHAYA or third party.
- ISAHAYA Electronics Corporation assumes no responsibility for any damage, or infringement of any third party's rights, originating in the use of any product data, diagrams, charts or circuit application examples contained in these materials.
- All information contained in these materials, including product data, diagrams and charts, represent information on products at the time of publication of these materials, and are subject to change by ISAHAYA Electronics Corporation without notice due to product improvements or other reasons. It is therefore recommended that customers contact ISAHAYA Electronics Corporation or an authorized ISAHAYA products distributor for the latest product information before purchasing product listed herein.
- ISAHAYA Electronics Corporation products are not designed or manufactured for use in a device or system that is used under circumstances in which human life is potentially at stake. Please contact ISAHAYA Electronics Corporation or an authorized ISAHAYA products distributor when considering the use of a product contained herein for any specific purposes, such as apparatus or systems for transportation, vehicular, medical, aerospace, nuclear, or undersea repeater use.
- The prior written approval of ISAHAYA Electronics Corporation is necessary to reprint or reproduce in whole or in part these materials.
- If these products or technologies are subject to the Japanese export control restrictions, they must be exported under a license from the Japanese government and cannot be imported into a country other than the approved destination. Any diversion or re-export contrary to the export control laws and regulations of Japan and/or the country of destination is prohibited.
- Please contact ISAHAYA Electronics Corporation or authorized ISAHAYA products distributor for further details on these materials or the products contained therein.